



:

- UVA+UVB+UVC
- P a c a
- SMD 3535 c a c a c a c c a
- G a b
- H a a c  
a ca , a a a



O a	<b>VP" a Q</b>	T	-25-100	C
S a	<b>VP" a Q</b>	T	-40-110	C
S	a (3 )	T	260	C
Ria				

n

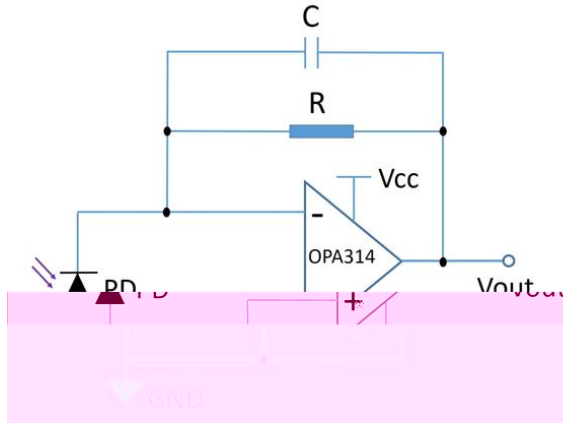


G N

C



:



$$V_{out} (V) = I_{ph} (A) \times R (\Omega)$$

$$I_{ph} (A) = R_{\lambda} (A/W) \times A (cm^2) \times P (W/cm^2)$$

where A is chip area, P is UV power density and  $R_{\lambda}$  is responsivity at specific wavelength

A a c a a b a  
 a a ca b a a . T  
 a a b a a c a  
 b SMD- a TO- ac a UV  
 b GaN O . U c  
 UV  
 a a , b  
 b a a .  
 T a a b a a a a c a a c .  
 D a ca a a c c a a a c a , c  
 a b a c a . A a b a  
 T UV a a b a a b a a a ac . A a  
 ac a a a a c UV a , a ac  
 a c ca PC c a . A bac c -USB  
 a ac PC USB cab c c . U c a c ca  
 a PC c c a a a a b a .  
 F a a b a , a :// . a - .c , a ca  
 b a , a a a a ab GaN O UV ca  
 b .  
 N :T b a a .  
 M G N I C

