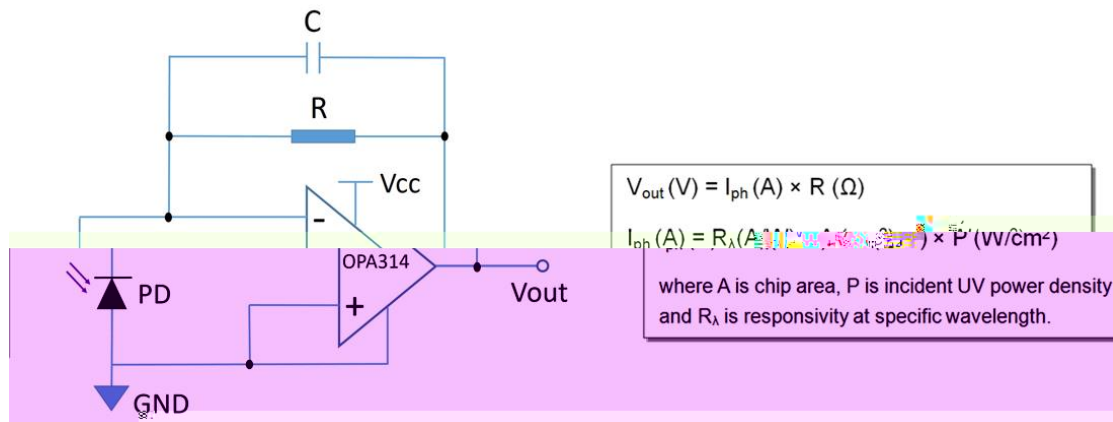




SiC-based UV photodiode

Model STL-ABC-XL

Application circuit:



Evaluation circuit board:

A

